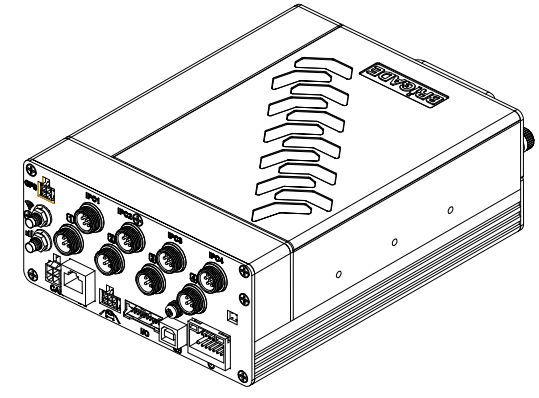
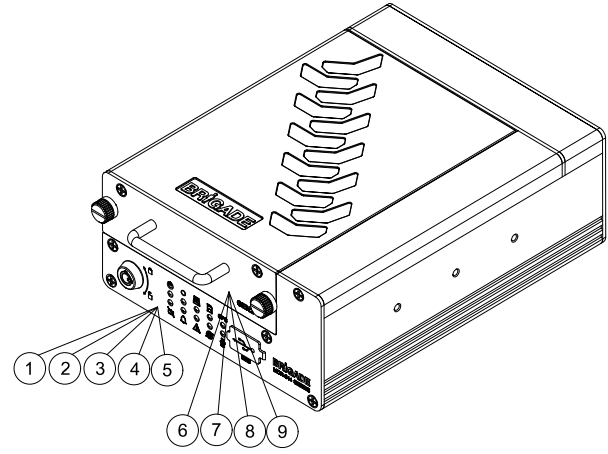
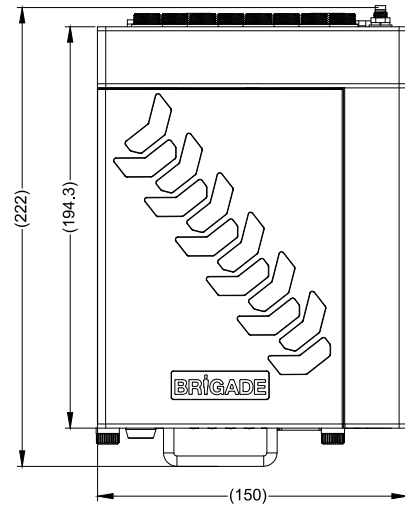
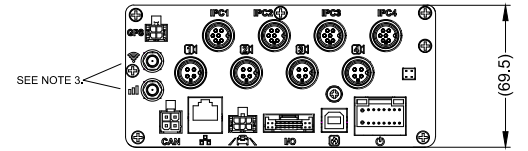
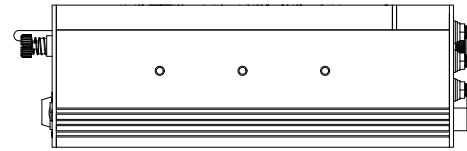
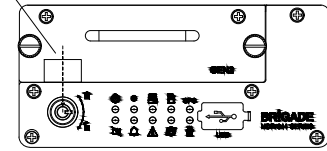
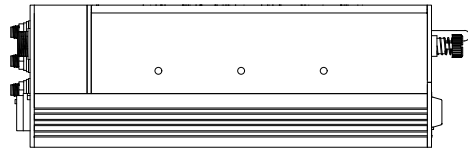


Revision Notes:

APA: _____ Drawn: _____ Checked: _____ Approved: _____ Date: _____



MDR QR CODE LABEL LOCATION



SEE NOTE 3.

NOTES:

1. REFERENCE INSTRUCTION MANUAL FOR FUNCTIONALITY.
2. ANY CUSTOMER MODIFICATION OF THIS PRODUCT CAUSING SUBSEQUENT FAILURE IS NOT A LIABILITY OF BRIGADE ELECTRONICS GROUP PLC.
3. MOBILE NETWORK AND Wi-Fi CAPABILITIES DEPEND ON MODEL AND AVAILABILITY.
4. VARIOUS SYSTEM OPTIONS A TO T CONTAIN RELEVANT COMPONENTS.

PROPRIETARY NOTICE

THIS DESIGN AND TECHNICAL INFORMATION APPEARING ON THIS DRAWING IS THE PROPERTY OF BRIGADE ELECTRONICS, AND IS DISCLOSED IN CONFIDENCE. IT IS NOT TO BE COPIED, REPRODUCED, REVEALED TO OR EXPROPRIATED BY OTHERS, EITHER IN WHOLE OR IN PART WITHOUT THE EXPRESS WRITTEN CONSENT OF BRIGADE ELECTRONICS.

Sheet No
1 of 3

| | | | | | | | |
|----------------------------------|--|-------------------------|--------------------|----------------------------|---------------------|----------------------|--|
| Assembly Pl Approval POLLY BU | | Approved by S. LAVER | | Checked by F. ADEMUJIMI | | Drawn by S. ZHANG | |
| Angle of Projection | | Units mm | Scale N/A | Released 02/12/21 | Assembly Ref N/A | | |
| Third Angle | | Status RELEASED | MDR-644XX-X-XXX-CU | | | | |
| | | Part No VARIOUS | BE-004574-00-21 | | | | |

BRIGADE
www.brigade-electronics.com

| | | | | |
|-----------------|--------|----------|-----------|-------|
| Revision Notes. | | | | |
| APA: | Drawn: | Checked: | Approved: | Date: |

| SYSTEM | PART NUMBER | QTY | MODEL NUMBER | DESCRIPTION |
|--------|-------------|-----|--------------------------|--|
| (A) | 6590 | 1 | MDR-644-1-CMR-CU | MDR-600 CONTROL UNIT, 4 ANALOGUE CHANNELS, 4 IP CHANNELS, 1TB CMR, 64GB SD |
| (B) | 6591 | 1 | MDR-644G-1-CMR-CU | MDR-600 CONTROL UNIT, 4G, 4 ANALOGUE CHANNELS, 4 IP CHANNELS, 1TB CMR, 64GB SD |
| (C) | 6592 | 1 | MDR-644GW-1-CMR-CU | MDR-600 CONTROL UNIT, 4G & WIFI, 4 ANALOGUE CHANNELS, 4 IP CHANNELS, 1TB CMR, 64GB SD |
| (D) | 6593 | 1 | MDR-644G-1-CMR-CU(NA) | MDR-600 CONTROL UNIT, 4G, 4 ANALOGUE CHANNELS, 4 IP CHANNELS, 1TB CMR, 64GB SD - NA |
| (E) | 6594 | 1 | MDR-644GW-1-CMR-CU(NA) | MDR-600 CONTROL UNIT, 4G & WIFI, 4 ANALOGUE CHANNELS, 4 IP CHANNELS, 1TB CMR, 64GB SD - NA |
| (F) | 6595 | 1 | MDR-644-0.5-SSD-CU | MDR-600 CONTROL UNIT, 4 ANALOGUE CHANNELS, 4 IP CHANNELS, 500GB SSD, 64GB SD |
| (G) | 6596 | 1 | MDR-644G-0.5-SSD-CU | MDR-600 CONTROL UNIT, 4G, 4 ANALOGUE CHANNELS, 4 IP CHANNELS, 500GB SSD, 64GB SD |
| (H) | 6597 | 1 | MDR-644GW-0.5-SSD-CU | MDR-600 CONTROL UNIT, 4G & WIFI, 4 ANALOGUE CHANNELS, 4 IP CHANNELS, 500GB SSD, 64GB SD |
| (I) | 6598 | 1 | MDR-644G-0.5-SSD-CU(NA) | MDR-600 CONTROL UNIT, 4G, 4 ANALOGUE CHANNELS, 4 IP CHANNELS, 500GB SSD, 64GB SD - NA |
| (J) | 6599 | 1 | MDR-644GW-0.5-SSD-CU(NA) | MDR-600 CONTROL UNIT, 4G & WIFI, 4 ANALOGUE CHANNELS, 4 IP CHANNELS, 500GB SSD, 64GB SD - NA |
| (K) | 6600 | 1 | MDR-644-1-SSD-CU | MDR-600 CONTROL UNIT, 4 ANALOGUE CHANNELS, 4 IP CHANNELS, 1TB SSD, 64GB SD |
| (L) | 6601 | 1 | MDR-644G-1-SSD-CU | MDR-600 CONTROL UNIT, 4G, 4 ANALOGUE CHANNELS, 4 IP CHANNELS, 1TB SSD, 64GB SD |
| (M) | 6602 | 1 | MDR-644GW-1-SSD-CU | MDR-600 CONTROL UNIT, 4G & WIFI, 4 ANALOGUE CHANNELS, 4 IP CHANNELS, 1TB SSD, 64GB SD |
| (N) | 6603 | 1 | MDR-644G-1-SSD-CU(NA) | MDR-600 CONTROL UNIT, 4G, 4 ANALOGUE CHANNELS, 4 IP CHANNELS, 1TB SSD, 64GB SD - NA |
| (O) | 6604 | 1 | MDR-644GW-1-SSD-CU(NA) | MDR-600 CONTROL UNIT, 4G & WIFI, 4 ANALOGUE CHANNELS, 4 IP CHANNELS, 1TB SSD, 64GB SD - NA |
| (P) | 6605 | 1 | MDR-644-2-SSD-CU | MDR-600 CONTROL UNIT, 4 ANALOGUE CHANNELS, 4 IP CHANNELS, 2TB SSD, 64GB SD |
| (Q) | 6606 | 1 | MDR-644G-2-SSD-CU | MDR-600 CONTROL UNIT, 4G, 4 ANALOGUE CHANNELS, 4 IP CHANNELS, 2TB SSD, 64GB SD |
| (R) | 6607 | 1 | MDR-644GW-2-SSD-CU | MDR-600 CONTROL UNIT, 4G & WIFI, 4 ANALOGUE CHANNELS, 4 IP CHANNELS, 2TB SSD, 64GB SD |
| (S) | 6608 | 1 | MDR-644G-2-SSD-CU(NA) | MDR-600 CONTROL UNIT, 4G, 4 ANALOGUE CHANNELS, 4 IP CHANNELS, 2TB SSD, 64GB SD - NA |
| (T) | 6609 | 1 | MDR-644GW-2-SSD-CU(NA) | MDR-600 CONTROL UNIT, 4G & WIFI, 4 ANALOGUE CHANNELS, 4 IP CHANNELS, 2TB SSD, 64GB SD - NA |

- NOTES:
1. REFERENCE INSTRUCTION MANUAL FOR FUNCTIONALITY.
 2. ANY CUSTOMER MODIFICATION OF THIS PRODUCT CAUSING SUBSEQUENT FAILURE IS NOT A LIABILITY OF BRIGADE ELECTRONICS GROUP PLC.
 3. MOBILE NETWORK AND Wi-Fi CAPABILITIES DEPEND ON MODEL AND AVAILABILITY.
 4. VARIOUS SYSTEM OPTIONS A TO T CONTAIN RELEVANT COMPONENTS.

PROPRIETARY NOTICE
 THIS DESIGN AND TECHNICAL INFORMATION APPEARING ON THIS DRAWING IS THE PROPERTY OF BRIGADE ELECTRONICS, AND IS DISCLOSED IN CONFIDENCE. IT IS NOT TO BE COPIED, REPRODUCED, REVEALED TO OR EXPROPRIATED BY OTHERS, EITHER IN WHOLE OR IN PART WITHOUT THE EXPRESS WRITTEN CONSENT OF BRIGADE ELECTRONICS.



| | | | | | | | |
|----------------------------------|--|-------------------------|--|----------------------------|--------------|----------------------|---------------------|
| Assembly PI Approval POLLY BU | | Approved by S. LAVER | | Checked by F. ADEMUJIMI | | Drawn by S. ZHANG | |
| Sheet No 2 of 3 | | Angle of Projection | | Units mm | Scale N/A | Released 02/12/21 | Assembly Ref N/A |
| Status RELEASED | | | | MDR-644XX-X-XXX-CU | | | |
| Part No VARIOUS | | | | BE-004574-00-21 | | | |

| ITEM | ① | ② | ③ | ④ | ⑤ | ⑥ | ⑦ | ⑧ | ⑨ |
|------------------------------|--|---|--|---|--|-----------------------------|-------------------------------|-----------------------------|-----------------------------|
| DESCRIPTION | MDR 600 4 Analogue channels, 4 IP channels Docking Station, 64GB SD Card | MDR 600 4. Analogue channels, 4 IP channels Docking Station with 4G, 64GB SD Card | MDR 600 4. Analogue channels, 4 IP channels Docking Station with 4G & WIFI, 64GB SD Card | MDR 600 4 Analogue channels, 4 IP channels Docking Station with 4G, 64GB SD Card - NA | MDR 600 4 Analogue channels, 4 IP channels Docking Station with 4G & WIFI, 64GB SD Card - NA | MDR-644 Caddy Unit, 1TB CMR | MDR-644 Caddy Unit, 500GB SSD | MDR-644 Caddy Unit, 1TB SSD | MDR-644 Caddy Unit, 2TB SSD |
| MODEL NUMBER | MDR-644-DS | MDR-644G-DS | MDR-644GW-DS | MDR-644G-DS(NA) | MDR-644GW-DS(NA) | MDR-644-1-MCU-CMR | MDR-644-0.5-MCU-SSD | MDR-644-1-MCU-SSD | MDR-644-2-MCU-SSD |
| PART NUMBER | 6610 | 6611 | 6612 | 6613 | 6614 | 6615 | 6616 | 6617 | 6618 |
| MDR-644-1-CMR-CU QTY | 1 | - | - | - | - | 1 | - | - | - |
| MDR-644G-1-CMR-CU QTY | - | 1 | - | - | - | 1 | - | - | - |
| MDR-644GW-1-CMR-CU QTY | - | - | 1 | - | - | 1 | - | - | - |
| MDR-644G-1-CMR-CU(NA) QTY | - | - | - | 1 | - | 1 | - | - | - |
| MDR-644GW-1-CMR-CU(NA) QTY | - | - | - | - | 1 | 1 | - | - | - |
| MDR-644-0.5-SSD-CU QTY | 1 | - | - | - | - | - | 1 | - | - |
| MDR-644G-0.5-SSD-CU QTY | - | 1 | - | - | - | - | 1 | - | - |
| MDR-644GW-0.5-SSD-CU QTY | - | - | 1 | - | - | - | 1 | - | - |
| MDR-644G-0.5-SSD-CU(NA) QTY | - | - | - | 1 | - | - | 1 | - | - |
| MDR-644GW-0.5-SSD-CU(NA) QTY | - | - | - | - | 1 | - | 1 | - | - |
| MDR-644-1-SSD-CU QTY | 1 | - | - | - | - | - | - | 1 | - |
| MDR-644G-1-SSD-CU QTY | - | 1 | - | - | - | - | - | 1 | - |
| MDR-644GW-1-SSD-CU QTY | - | - | 1 | - | - | - | - | 1 | - |
| MDR-644G-1-SSD-CU(NA) QTY | - | - | - | 1 | - | - | - | 1 | - |
| MDR-644GW-1-SSD-CU(NA) QTY | - | - | - | - | 1 | - | - | 1 | - |
| MDR-644-2-SSD-CU QTY | 1 | - | - | - | - | - | - | - | 1 |
| MDR-644G-2-SSD-CU QTY | - | 1 | - | - | - | - | - | - | 1 |
| MDR-644GW-2-SSD-CU QTY | - | - | 1 | - | - | - | - | - | 1 |
| MDR-644G-2-SSD-CU(NA) QTY | - | - | - | 1 | - | - | - | - | 1 |
| MDR-644GW-2-SSD-CU(NA) QTY | - | - | - | - | 1 | - | - | - | 1 |

NOTES:
 1. REFERENCE INSTRUCTION MANUAL FOR FUNCTIONALITY.
 2. ANY CUSTOMER MODIFICATION OF THIS PRODUCT CAUSING SUBSEQUENT FAILURE IS NOT A LIABILITY OF BRIGADE ELECTRONICS GROUP PLC.
 3. MOBILE NETWORK AND Wi-Fi CAPABILITIES DEPEND ON MODEL AND AVAILABILITY.
 4. VARIOUS SYSTEM OPTIONS A TO T CONTAIN RELEVANT COMPONENTS.

PROPRIETARY NOTICE
 THIS DESIGN AND TECHNICAL INFORMATION APPEARING ON THIS DRAWING IS THE PROPERTY OF BRIGADE ELECTRONICS, AND IS DISCLOSED IN CONFIDENCE. IT IS NOT TO BE COPIED, REPRODUCED, REVEALED TO OR EXPROPRIATED BY OTHERS, EITHER IN WHOLE OR IN PART WITHOUT THE EXPRESS WRITTEN CONSENT OF BRIGADE ELECTRONICS.



| | | | | |
|----------------------------------|------------------------------------|-------------------------|----------------------------|----------------------|
| Assembly Pl Approval POLLY BU | | Approved by S. LAVER | Checked by F. ADEMUJIMI | Drawn by S. ZHANG |
| Sheet No 3 of 3 | Angle of Projection Third Angle | Units mm | Scale N/A | Released 02/12/21 |
| Status RELEASED | | MDR-644XX-X-XXX-CU | | |
| Part No VARIOUS | | BE-004574-00-21 | | |